

PREPARATION

XL Flooring planks and tiles are very stable. They do not expand or contract like other types of flooring. As long as the surface you are applying our product to is hard and flat, installation will be easy.

Do not lay our flooring over carpet or foam underlayment. This is an indoor flooring product and, while it is stable, we do not recommend it for outside use or rooms that are subject to high humidity and extreme cold temperatures. Applying this flooring in such areas will void the warranty.

Planks should be allowed to acclimate at room temperature (approx. 21°C/70°F) for 48 hours prior to installation. New concrete floors need to dry out for at least 60 days prior to installation. Make sure the floor is smooth, clean, and free of wax, grease, oil or dust. The floor should have an even surface; uneven areas must be fixed with a proper leveling compound. Where moisture is an issue, test that in concrete, the maximum acceptable emission level of 3lbs. of hydrostatic pressure emitting per 1,000 sq.ft. per 24 hours is not exceeded. For plywood, OSB or any wood substrate, ensure that the moisture content is 11% or under in all areas. RH (Relative Humidity) should be 75% or less.

To achieve a good looking final result the first row of planks should be laid down squarely. As walls are seldom straight, you may have to drop a chalk line and/or scribe the first and last rows to fit tightly against the wall.

Tools Required:

- Utility knife or a guillotine type cutter
- Straight Edge
- Measuring Tape
- Flooring trowel (1/32" tooth gap) or tight nap paint roller

Flooring Material Required:

Multiply the length by the width of your room to determine square footage. If the room has alcoves or offsets, measure the square footage of these areas separately. Add all square footage measurements together to determine the total square footage of the room. We recommend you purchase an additional 10% to cover any errors in measurement and trimming. And, since our flooring is so easy to install and remove, it's a good idea to keep a few planks in storage for replacement purposes should a plank get damaged over time and use.

Depending on the XL Flooring product purchased your retail sales associate and our package labelling will let you know the square footage contained in a box.

Should you choose to install our flooring using the full-glue or perimeter-glue method you will need a pressure sensitive adhesive recommended for use with vinyl tiles and planks to secure the flooring in place. For light duty application the perimeter-glue method using double-sided tape is acceptable (insure that the double sided tape is rated for use with vinyl flooring).

If the floor is being laid for heavy duty use, such as a floor that

will have industrial equipment rolled across it, we recommend applying pressure sensitive adhesive over the entire floor surface.

SUB-FLOORS

If the surface you are installing our flooring to is hard and flat a sub-floor is not required. Please follow the following instructions for preparing a surface the flooring will be applied to.

Preparation of Floor and/or Subfloor:

The floor or subfloor surface must be smooth, flat, dry, clean and solid. Staples, nails or loose adhesive leftover from previous flooring must be removed to insure proper installation.

Floors or subfloors should be flat within a tolerance of 1/8" (3mm) over a span of 6 feet. Any unevenness over 1/8" (3mm) must be sanded down or filled with a floor leveler. Our product is very forgiving so when applied over a sub-floor very little prep work is required for most installations but, of course, the better the subfloor the better the end result.

Floors or subfloors must be carefully checked for moisture problems. Any moisture problems need to be addressed prior to installation.

When laying our flooring over existing ceramic tile, it will be necessary to fill the grout lines with a floor leveler.

Treated plywood or oriented strand board (OSB) can be used as a sub-floor material if necessary. Treated plywood does perform better than oriented strand board (OSB).

In most residential and commercial applications our products do not require any underlay for sound transmission. Most of our products have an IIC rating of 52 which meets building code, in the U.S.A and Canada, for sound transmission without any underlayment.

If you require a higher sound absorption rating, we recommend using a 2mm cork or a combination of cork and rubber underlay, which will add an additional 9 points to your total sound rating. Use a full spread adhesive under the the cork panels then apply our planks over the panels using either perimeter or full coverage gluing techniques.

INSTALLATION

Plan Your Layout:

Before laying out the floor, take measurements to ensure the wall you are starting from is square. If it is not, scribing the first row of planks will be necessary if installing Tight-Fit® or if using a glue method, a chalk line can be laid down to set the first row of planks to.

Note: Check the back of our flooring for directional arrows. Please ensure that when laying the floor all arrows are pointing in the same direction.

Staggering the length of our planks when laying them down will produce the most appealing result.

To cut a plank, measure and mark the plank, then using a straight edge and utility knife, simply score the plank and snap it off. If using a guillotine cutter align your measurement mark to the cutting edge of the cutter then chop.

TIGHT-FIT® Method

Easy do-it-yourself or professional installation method when you have a nice straight wall to start and finish TIGHT-FIT® against. This option requires no glue or tape. TIGHT-FIT® means tight against the wall - **NO EXPANSION GAP**. If your wall is not straight, you may have to scribe your first and last row to fit imperfections in the walls.

Tape Method

Easy do it yourself method when you don't have straight walls to start and finish TIGHT-FIT® against. Check the tape's packaging and make sure it is formulated for vinyl. Some carpet tapes may damage your floor and void the warranty. Make sure the adhesion on the tape is not compromised by dust. Apply tape all around the perimeter. If in a kitchen, it is a good idea to put an X in front of the fridge.

Note: Adhesive tape applied to the surface of our products may cause damage or discoloration. Since we do not have any control over the manufacturing of such products we cannot warranty against any damage caused by their use.

Perimeter-Glue Method

This is a method preferred by installers. It is faster than TIGHT-FIT® (no scribing) and more secure than tape. Using a paint roller or a small-notched (1/32" x 1/32") trowel apply an 16" wide band of pressure-sensitive adhesive around the perimeter of the room. We recommend you use an adhesive formulated for vinyl flooring. Make sure you let the adhesive dry completely (you should be able to put your hand on the glued area and get no transfer onto your hand). Once glue is dry lay the planks or tiles nice and tight together.

Full Spread Method

Only required in hospitals, doctors and dentists offices as well as constantly moist areas such as behind bars or around pools. Apply pressure sensitive adhesive - We recommend you use a pressure sensitive adhesive formulated for vinyl flooring over the entire floor. Make sure you let the adhesive dry completely.

Laying Down the First Row:

Install planks tight together in a straight line as close to the starting wall as possible. Stagger the endseams of each subsequent row. Again, this is tight fit flooring so no expansion gap is required. If you do have a slight gap between the wall and the first row a base board can cover it.

Laying Down the Floor:

Continue to lay rows of planks, tight fitting each plank up against the previous row.

Laying Down the Final Row:

If required, trim final row planks for tight fit against the opposing wall. To do so lay planks over previous row pushing them tightly

against the wall. Measure the distance of the overlap then carry that measurement over to the wall edge of the plank. Mark the plank, set your straight edge and cut. Fit the planks into place but do not force them in. Cut edges of planks should always be facing the wall.

MAINTENANCE

Sweep, Vacuum and Mop floors regularly!

The strong polyurethane coating on our flooring planks will protect your floor from everyday wear and tear. Follow the precautions below for keeping your floor looking good for years to come.

Use proper floor protectors on all chairs and furnishings. Examine your protectors periodically, check for burs, debris or wear and make sure the surface is smooth. Do not drag furniture or heavy objects across your floor! These precautions will prevent scratches and indentations from appearing on your floor.

Any damage caused by high-heeled shoes, dropping sharp and pointed objects, rolling carts, heavy equipment, furniture and chairs without protective pads will not be covered by our warranty.

Do not expose floor to frequent standing water and wipe up all spills quickly. If an extensive amount of water has gotten into the subfloor remove the flooring planks and allow the subfloor adequate time to dry before reinstalling the planks.

Watch for tracked-in dirt and grit particles. Use walk-off mats at all entrances. Do not use rubber-backed mats as these will discolor the floor. Discoloration caused by using rubber-backed mats is not warranted.

Do not use any type of harsh detergent or solvents like lacquer thinner, abrasive cleaners or Mop and Shine type products; these will leave a film on the surface of the plank. Avoid vinegar as a cleaning agent.

Use cleaners that are recommended for vinyl. Occasional damp mopping with a little warm water and any no-rinse PH Neutral floor cleaner to take care of sticky situations. For quick cleanup of small areas spray on window cleaner and dry off with clean cloth. For cleanup of difficult to remove stains TileLab cleaner (available at Home Depot) works well. When vacuuming use the proper attachment for hard flooring. Do not use the beater brush attachment on any hard surface floor.

WARRANTY

Our Residential Warranty:

The term of our warranty is displayed on product packaging. Our residential limited warranty means that for the period of time indicated on the packaging, from the date of purchase, your floor will be free from manufacturing defects and will not wear through or permanently stain from common household products when installed and maintained according to instructions herein. This guarantee applies only to the original purchaser and proof of purchase is required for all claims. The guarantee is for replacement or refund of the vinyl planks or tiles only, any labor and additional materials used for the installation of our flooring will not be warranted under any circumstances.

Our Light Commercial Warranty:

The term of our warranty will be displayed on product packaging. Our light commercial limited warranty means that for the period of time indicated on packaging, from the date of purchase, your floor will be free from manufacturing defects and will not wear through when installed and maintained according to instructions herein. This guarantee applies only to the original end user and proof of purchase is required for all claims. The guarantee is for replacement or refund of the vinyl planks or tiles only, any labor and additional materials used for the installation of our flooring will not be warranted under any circumstances.

INSTALLATION & MAINTENANCE GUIDELINES herein are highly important. To all purchasers of the product, installers and end-users; any deviation from the instructions and recommendations in this installation guide may result in voiding the product warranty.

LES LIGNES DIRECTRICES D'INSTALLATION ET DE MAINTENANCE sont très importantes. À tous les acheteurs du produit, installateurs et utilisateurs finaux; tout écart par rapport aux instructions et recommandations de ce guide d'installation peut entraîner l'annulation de la garantie de ce produit.

1. Begin laying in the left-hand corner. Place the floorboard 6mm from the left wall. Use spacers between the wall and the floorboard. *Tip: we recommend you lay down the floor using planks from multiple boxes. This will assist in eliminating pattern repeats.*

1. Commencez à étendre le revêtement de sol par le coin gauche de la pièce. Placez les premières planches à 6 mm du mur. Utilisez des espaceurs entre le mur et le plancher. *Conseil : nous vous recommandons de poser le plancher en utilisant des planches de différentes boîtes. Cela afin de prévenir les répétitions de motif.*

2. Insert the end section at the next floorboard at an angle into the first one, then lay down. Complete the first row in the same manner.

2. Insérez l'extrémité de la planche suivante en angle dans la première, puis déposez-la. Complétez la première rangée de la même façon.

3. Measure the length of the last plank section, leaving a 6mm space against the end wall. *Tip: Place the final plank in the row face down and mark where to cut.*

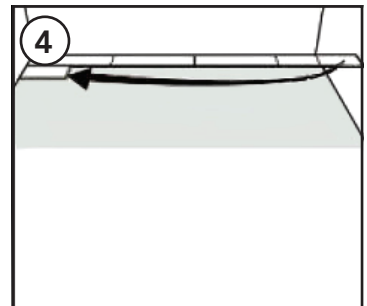
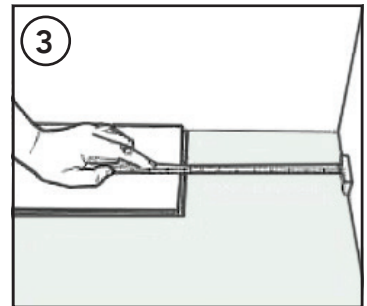
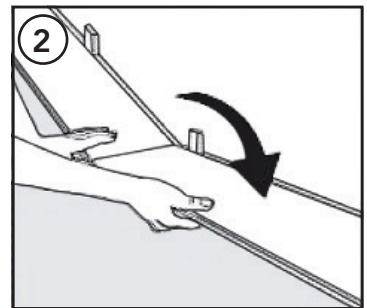
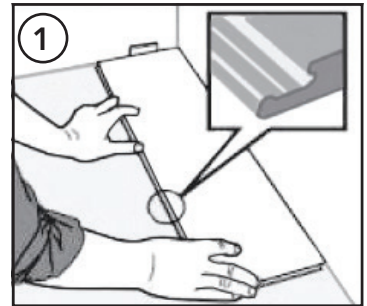
3. Mesurez la longueur de la dernière section de planches, en laissant un espace de 6mm avec le mur d'extrémité. *Conseil : Posez la dernière planche de la rangée face vers le bas et faites un trait à l'endroit où il faut couper.*

4. Start the second row with the left over section of the previous row. The leftover section should measure at least 20cm (8"). Otherwise use a new plank and cut so that end joints are staggered properly with joints in the adjacent row.

4. Commencez la deuxième rangée avec la section restante de la rangée précédente, si cette dernière mesure au moins 20 cm (8 po). Sinon, utilisez une nouvelle planche et coupez-la de façon que les joints d'extrémité soient décalés par rapport aux joints de la rangée adjacente.

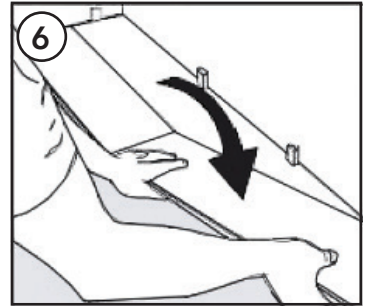
5. Place the floorboard at an angle against the floorboard in the previous row, press forward and fold down at the same time.

5. Posez la planche en angle contre la planche de la rangée précédente, en appuyant vers l'avant et le bas en même temps.



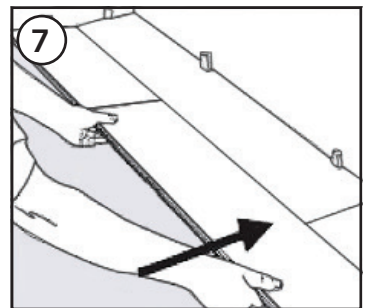
6. Place the short end of the floorboard at an angle against the previous installed floorboard and fold down. Ensure that the board is positioned into the locking strip of the floorboard in the previous row.

6. Placez l'extrémité courte de la planche à un angle par rapport à la planche précédemment posée puis la rabattre sur le sol. Assurez-vous que la planche est bien insérée dans la bande d'emboîtement de la planche de la rangée précédente.



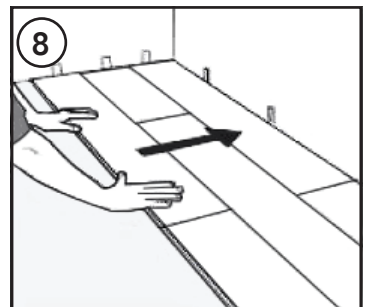
7. Lift both the current as well as the previous plank from this row, push to slide the current plank against the row in front so it aligns with the previous plank. The current and previous plank can now be folded completely down to horizontal position.

7. Soulevez la planche en cours de pose et la précédente de cette rangée, puis poussez pour faire glisser la planche en cours de pose contre la rangée avant pour qu'elle s'aligne avec la planche précédente. La planche en cours de pose et la planche précédente peuvent maintenant être rabattues complètement jusqu'en position horizontale.



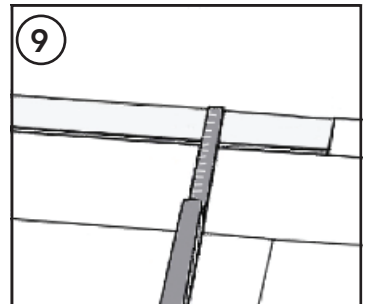
8. After 2-3 rows adjust the distance to the front wall by placing spacers of 6mm. Keep the spacers in position during the entire time of installation and remove once the installation is completed.

8. Après avoir posé 2 ou 3 rangées, ajustez la distance par rapport au mur avant en insérant les espaceurs de 6 mm. Gardez les espaceurs en place pendant toute la durée de l'installation et retirez-les une fois l'installation terminée.



9. If the wall is uneven, the floorboard must be adapted to its contours. Mark the floorboards with the contour of the wall. Do not forget to leave 6mm of gap from the wall. This procedure shall be used also for the first row if necessary.

9. Si le mur est inégal, le plancher doit être adapté à ses contours. Marquez les planches en fonction des contours du mur. N'oubliez pas de laisser un espace de 6 mm entre le plancher et le mur. Cette procédure doit également être utilisée pour la première rangée au besoin.



1. To determine required flooring, measure the length and width of the room and multiply by each other to equal square footage
2. Tools required for your installation: A Tape measure, Pencil, Chalk line, Crosscut power saw, 3M Scotch-Blue™ 2080 Tape, Rubber mallet, 1/4" (6mm) spacers
3. Use a small (7" x 7") piece of rigidcore flooring, with the interlocking strip in place, as an aid to tap planks into place.
4. When applying rigidcore planks to stair treads always use a permanent adhesive rated for vinyl flooring.

1. Pour déterminer la surface de plancher requise, mesurez la longueur et la largeur de la pièce et multipliez les deux valeurs. Vous obtiendrez alors une superficie en pi2 ou en m2 selon l'unité de mesure.
2. Outils requis pour l'installation : ruban à mesurer, crayon, cordeau à craie, scie à tronçonner, ruban adhésif 3M Scotch-Blue 2080, maillet en caoutchouc, espaceurs 1/4 po (6 mm).
3. Utilisez un petit morceau de plancher Rigidcore (7 po x 7 po), avec la bande d'emboîtement en place, pour tapoter les planches en place.
4. Lorsque vous appliquez des planches rigides sur des marches d'escalier, utilisez toujours un adhésif permanent conçu pour les revêtements de sol en vinyle.

It is the sole responsibility of the installer/owner, prior to installation, to assure that the planned installation area has proper lighting, is suitable for the flooring and meets local building codes. Confirm that all subflooring meets or exceeds all industry standards and local building codes; as well as the recommendations listed herein. The manufacturer accepts no responsibility for product failure extending from or related to failure to meet job environment and subflooring requirements.

The installer/owner assumes full responsibility for the final inspection of this product. Inspection should be done prior to installation and should include print / colour / texture / factory finish / visible conditions (please note the installation site requires proper lighting). If the product is not acceptable, **DO NOT INSTALL IT**. Contact your retailer immediately for assistance. Flooring that has been installed will be deemed to have been inspected and quality accepted. XL Flooring will not accept any responsibility for any flooring installed with visible defects.

PROTECTION AND MAINTENANCE:

- It is recommended that you sweep & vacuum the area immediately after installation to remove potential damaging soil and debris. You can use your flooring immediately (unless glued down).
- XL recommends using a pH neutral vinyl floor cleaner as required. XL does not warrant any of the cleaning agents or conditions associated with them as the application of them is beyond our control.
- For commercial installations, we approve the use of a low speed (175 rpm) floor cleaning machine with 3M red or white pad. XL will not be responsible for damages associated with a floor cleaning machine.
- Always rinse the floor thoroughly with clean water and allow to dry as the floor may be slippery when wet. Air movers or fans will speed up drying time.
- Never saturate your flooring.
- Do not buff, wax or use cleaning products that contain surfactants. Dish lotions, laundry detergents, Murphy Oil Soap cleaners should not be used to maintain your flooring.
- Never steam clean or use a steam mop on the floor.
- Furniture & appliances: When moving heavy furniture or appliances place a hard surface between the item and the floor and roll or slide the item on it. **DO NOT** roll or slide them across the floor without this protection. When possible lift the object being careful to avoid injury. Furniture glides may cause damage to your flooring.
- Felt pads on chair legs should be installed and replaced periodically, as they wear and accumulate abrasive materials with use and can damage the floor.
- Hard surface mats are required under office chairs. Rolling traffic may damage your flooring and is not warranted.
- Keep pet nails trimmed, especially dogs, as they may / will damage the floor.
- We recommend the use of non-staining walk off mats at all entryways. Note: Always use non-staining area rugs and mats as they can reduce the risk of permanently staining your flooring caused by latex and rubber backed rugs. Woven rugs may have dye's that can permanently stain your flooring. Using a non- staining padding / mat under it will help reduce that risk.
- High heels and spiked shoes, may mark, abrade, or otherwise damage the surface and finish of your floor. This is not a warranted condition.

For information regarding our products, and warranties please visit: <http://xlflooring.ca/>

C'est la responsabilité de l'installateur / propriétaire, de s'assurer avant l'installation que la zone d'installation prévue dispose d'un éclairage approprié, convient au revêtement de sol et respecte les codes de construction locaux. Il est important de confirmer que tous les sous-planchers respectent les normes de l'industrie et les codes de construction locaux; En plus des recommandations énumérées ici. Le fabricant décline toute responsabilité en cas de défaillance du produit liée au non-respect de l'environnement de travail et des exigences requises à l'égard du sous-plancher.

L'installateur / propriétaire assume l'entière responsabilité de l'inspection finale de ce produit. L'inspection doit être effectuée avant l'installation et doit inclure l'impression / la couleur / la texture / la finition d'usine / les conditions visibles (veuillez noter que le site d'installation nécessite un éclairage approprié). Si le produit n'est pas acceptable, NE L'INSTALLEZ PAS. Contactez immédiatement votre revendeur pour obtenir de l'aide. Le revêtement de sol installé sera réputé avoir été inspecté et sa qualité acceptée. XL Flooring n'acceptera aucune responsabilité pour tout revêtement de sol installé avec des défauts visibles.

PROTECTION ET ENTRETIEN:

- Il est recommandé de balayer et de passer l'aspirateur immédiatement après l'installation afin d'éliminer les saletés et les débris qui pourraient endommager votre sol. Vous pouvez utiliser votre revêtement de sol des l'installation (sauf s'il est collé).
- XL recommande d'utiliser un nettoyant pour sols en vinyle à pH neutre. XL ne garantit pas les résultats des produits de nettoyage ou similaires, car leur application est hors de notre contrôle.
- Pour les installations commerciales, nous approuvons l'utilisation d'une machine de nettoyage industriel des sols à basse vitesse (175 tr / min) avec un tampon 3M rouge ou blanc. XL ne sera pas responsable des dommages associés à une machine de nettoyage industriel des sols.
- Rincez toujours soigneusement le sol à l'eau claire et laissez-le sécher car le sol peut être glissant lorsqu'il est mouillé. Les moteurs à air ou les ventilateurs accéléreront le temps de séchage.
- Ne jamais saturer votre revêtement de sol.
- Ne pas polir, cirer ni utiliser de produits de nettoyage contenant des tensioactifs. Les lotions à vaisselle, les détergents à lessive, les nettoyants au savon à l'huile Murphy ne doivent pas être utilisés pour entretenir votre revêtement de sol.
- Ne nettoyez jamais à la vapeur et n'utilisez pas de vadrouille à vapeur sur le sol.
- Meubles et appareils électroménagers: lorsque vous déplacez des meubles ou appareils électroménagers lourds, placez une surface dure entre l'article et le sol et faites rouler ou faites glisser l'article dessus. NE PAS les rouler ou les faire glisser sur le sol sans cette protection. Si possible, soulevez l'objet en faisant attention de ne pas vous blesser. Les patins des meubles peuvent endommager votre revêtement de sol.
- Les coussinets en feutre sur les pieds de la chaise doivent être installés et remplacés périodiquement, car ils usent et accumulent des matériaux abrasifs à l'usage et peuvent endommager le sol.
- Des tapis à surface dure sont requis sous les chaises de bureau. Le roulement peut endommager votre revêtement de sol et n'est pas garantie.
- Gardez les ongles des animaux de compagnie coupés, en particulier les chiens, car ils peuvent endommager le sol.
- Nous recommandons l'utilisation de tapis de passage non tachants à toutes les entrées.
Remarque: évitez les tapis en latex et en caoutchouc ces types de tapis peuvent laisser une trace permanente sur le sol. Les tapis tissés peuvent contenir des colorants qui peuvent aussi tacher définitivement votre sol. L'utilisation d'un sous tapis non tachant contribuera à réduire ce risque.
- Les talons hauts et les chaussures à pointes peuvent marquer, abraser ou autrement endommager la surface et la finition de votre plancher. Dans cette situation la garantie de sera pas valide.

Pour plus d'informations sur nos produits et garanties, veuillez visiter <http://xlflooring.ca/>